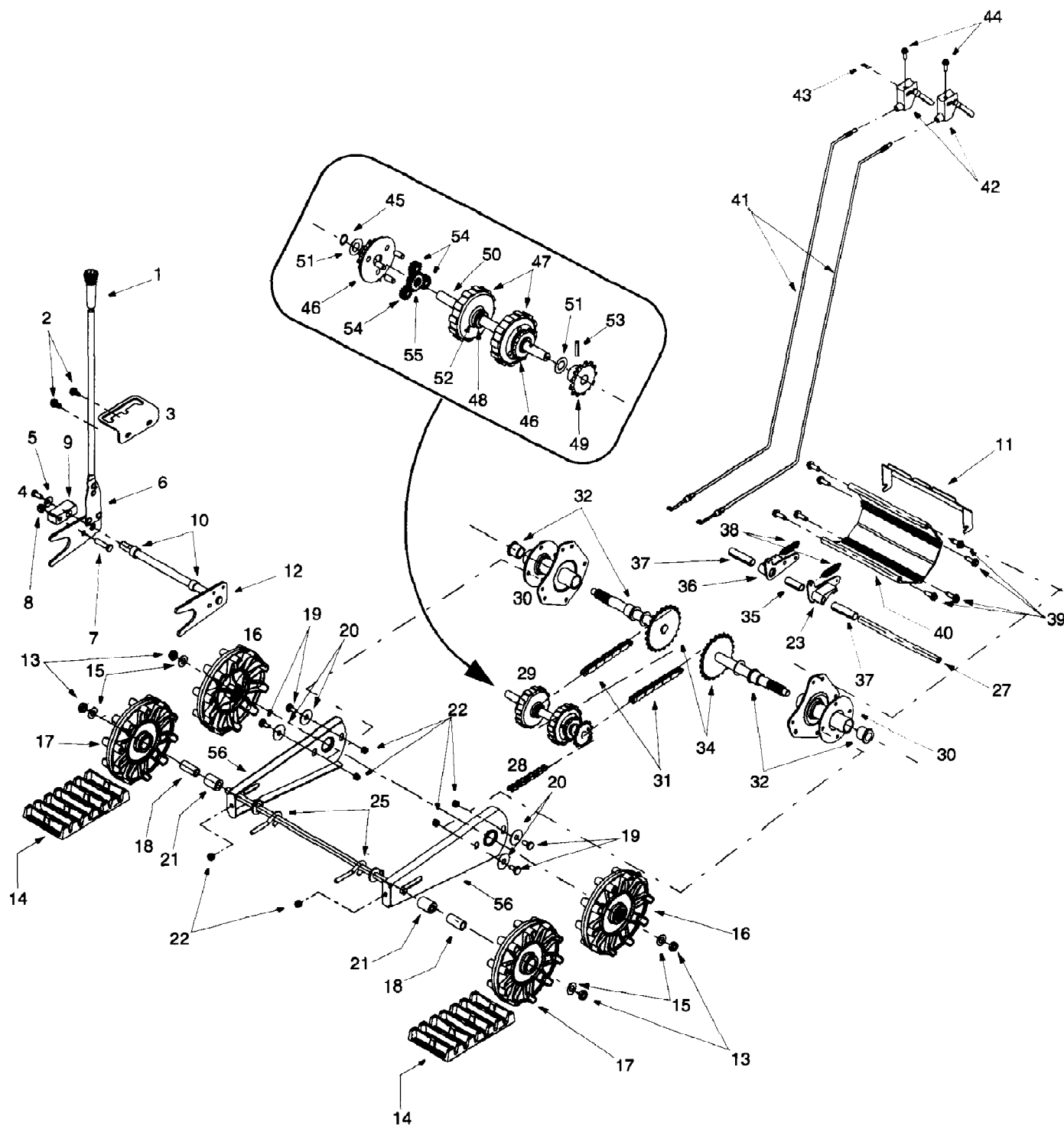


31AE7E3F190 Snow Boss 950T (1999)  
Axle Assembly



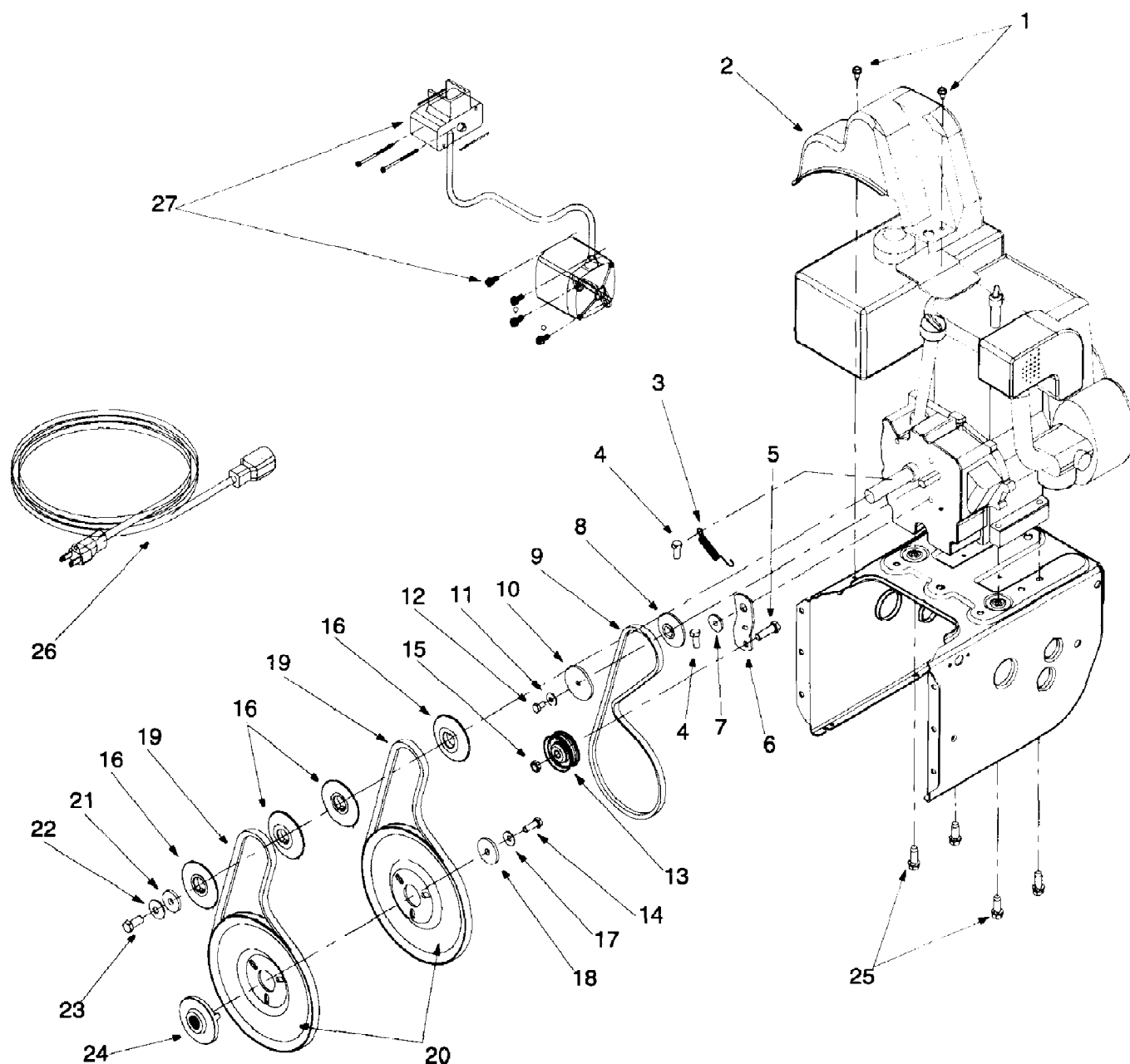
31AE7E3F190 Snow Boss 950T (1999)  
Axle Assembly

Page 2 of 14

| Ref # | Part Number | Qty | S/P/F | Description                            |
|-------|-------------|-----|-------|--|
| 1     | 720-0223    | 1   |       | Grip                                   |
| 2     | 710-0604    | 1   | S     | Tap Screw, 5/16-18 x .625              |
| 3     | 784-5642    | 1   |       | Track Lockout Plate                    |
| 4     | 710-0157    | 1   | /P    | Hex Cap Screw, 5/16-24 x .75           |
| 5     | 736-0242    | 1   | /P    | Bell Washer, .34 ID x .872 OD          |
| 6     | 684-0038    | 1   | S     | Track Lock Handle Assembly             |
| 7     | 710-0459A   | 1   | /P    | Hex Cap Screw, 3/8-24 x 1.5            |
| 8     | 712-0214    | 1   | S     | Hex Nut, 3/8-24                        |
| 9     | 748-0353A   | 1   |       | Lift Shaft Drive                       |
| 10    | 750-0547    | 1   |       | Spacer, .628 ID x .875 OD x .5         |
| 11    | 784-5609    | 1   |       | Steering Cable Bracket                 |
| 12    | 684-0009    | 1   |       | Track Pivot Rod Assembly               |
| 13    | 712-0346    | 1   | S     | Jam Nut, 1/2-20                        |
| 14    | 731-1292    | 1   |       | Snow Track                             |
| 15    | 736-0272    | 1   | S     | Flat Washer, .5 x 1 x .06              |
| 16    | 731-1538A   | 1   | /P    | Track Drive Wheel                      |
| 17    | 631-0032    | 1   | /P    | Track Idler Wheel                      |
| 18    | 750-0995    | 1   |       | Spacer, .51 ID x .75 OD x 1.67         |
| 19    | 738-0140    | 1   | S     | Shoulder Screw, .435 x .178-5/16 x .56 |
| 20    | 736-0406    | 1   | S     | Flat Washer, .442 x 1.38 x .06         |
| 21    | 750-0909    | 1   |       | Spacer, .51 ID x 1 OD x 1.34           |
| 22    | 712-0429    | 1   | S     | Hex Nut, 5/16-18                       |
| 23    | 618-0044    | 1   |       | LH Dogg Assembly                       |
| ?24   | 684-0024    | 1   | S     | Idler Axle Assembly                    |
| 25    | 710-1231    | 1   |       | Eye Bolt, 5/16-18 x 3                  |
| ?26   | 784-5639    | 1   |       | Track Side Plate                       |
| 27    | 711-0911    | 1   |       | Actuator Shaft                         |
| 28    | 713-0233    | 1   | /P    | Chain                                  |
| 29    | 618-0169    | 1   | S     | Track/Steering Shaft Assembly          |
| 30    | 683-0024    | 1   | S     | Track Hub Assembly                     |
| 31    | 713-0437    | 1   |       | Chain                                  |
| 32    | 741-0339    | 1   | S     | Flange Bearing                         |
| ?33   | 736-0287    | 1   | S     | Flat Washer, .793 x 1.24 x .06         |
| 34    | 611-0053    | 1   |       | Axle Assembly                          |
| 35    | 750-0904    | 1   |       | Split Spacer, .514 x .630 x 1.59       |
| 36    | 618-0043    | 1   |       | RH Dogg Assembly                       |
| 37    | 750-0903    | 1   | S     | Split Spacer, .514 x .630 x 2.44       |
| 38    | 732-0209    | 1   | S     | Ext. Spring                            |
| 39    | 710-0602    | 1   | /P    | Tap Screw, 5/16-18 x 1                 |
| 40    | 719-0295A   | 1   | /P    | Track Housing                          |
| 41    | 746-0948    | 1   | S     | Steering Cable                         |
| 42    | 746-0950    | 1   | S     | Steering Trigger                       |
| 43    | 712-0127    | 1   | /P    | Flange Nut                             |
| 44    | 710-1233    | 1   | /P    | Screw, #10-24 x 1.375                  |
| 45    | 716-0114    | 1   | S     | Retaining Ring                         |
| 46    | 618-0046    | 1   | S     | Carrier Assembly                       |
| 47    | 717-1211    | 1   | S     | Ring Gear                              |
| 48    | 716-0115    | 1   | S     | Retaining Ring                         |
| 49    | 713-0414    | 1   |       | 13-Tooth Sprocket                      |
| 50    | 711-0912    | 1   |       | Track Steering Drive Shaft             |
| 51    | 736-0502    | 1   | S     | Flat Washer, .58 x 1.06 x .02          |
| 52    | 736-0336    | 1   | S     | Flat Washer, 5/8 x 1 x .03             |
| 53    | 715-0120    | 1   | S     | Spiral Pin, 3/16 x 1                   |

31AE7E3F190 Snow Boss 950T (1999)  
Axle Assembly

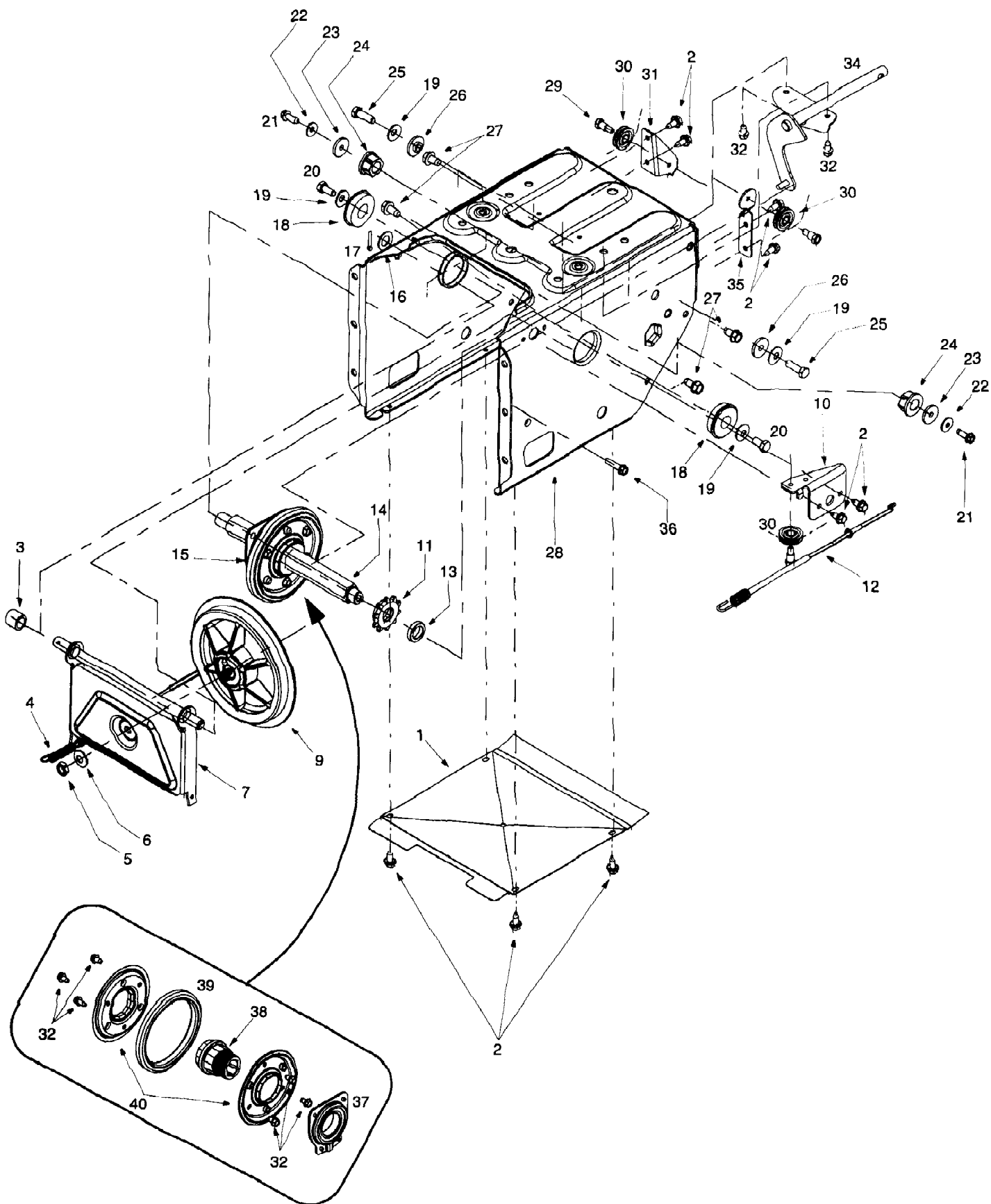
| Ref # | Part Number   | Qty | S/P/F | Description      |
|-------|---------------|-----|-------|------------------|
| 54    | 717-1209      | 1   | S     | 12-Tooth Gear    |
| 55    | 717-1210      | 1   | S     | 18-Tooth Gear    |
| 56    | 784-5639-0637 | 1   |       | Track Side Plate |



31AE7E3F190 Snow Boss 950T (1999)  
Drive Assembly Model E7E3F

Page 5 of 14

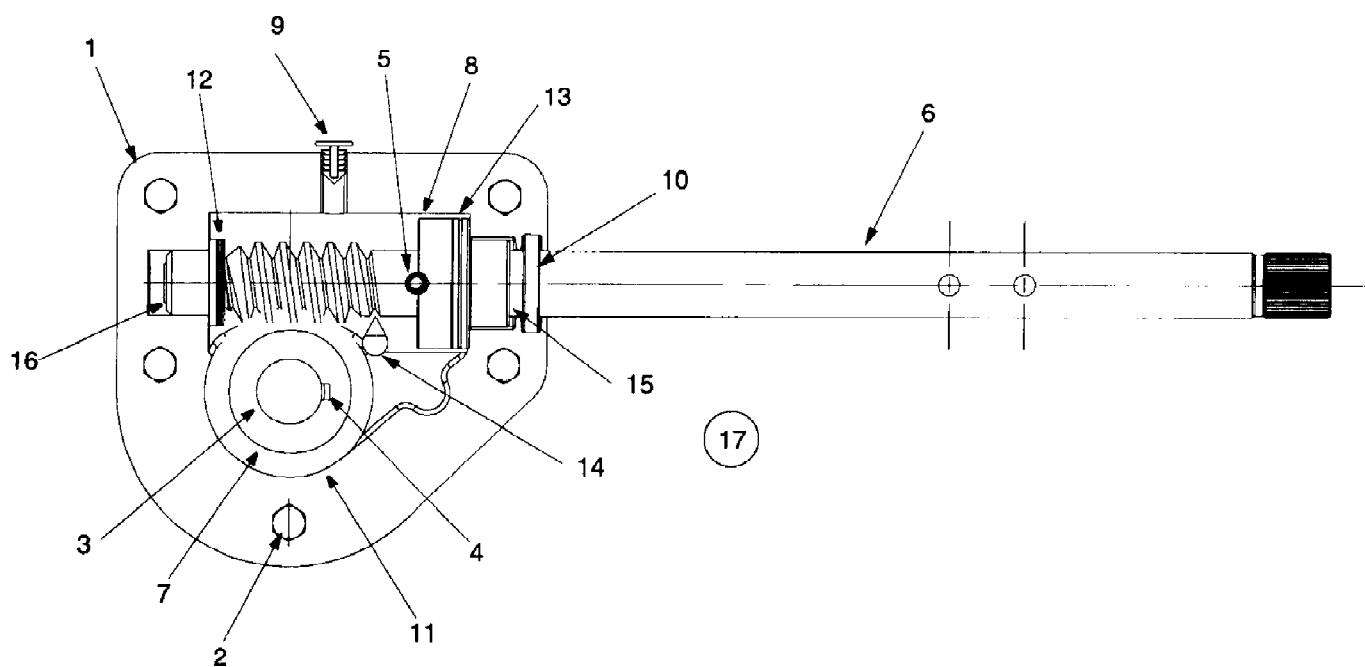
| Ref # | Part Number | Qty | S/P/F | Description                   |
|-------|-------------|-----|-------|-------------------------------|
| 1     | 710-0599    | 1   | /P    | Hex Washer Screw 1/4-20 x .50 |
| 2     | 731-1324    | 1   |       | Belt Cover                    |
| 3     | 732-0710    | 1   | S     | Extension Spring              |
| 4     | 710-0627    | 1   | /P    | Hex Screw 5/16-24 x .75       |
| 5     | 710-3005    | 1   | /P    | Hex Cap Screw 3/8-16 x 1.25   |
| 6     | 05896A      | 1   |       | Drive Clutch Idler Bracket    |
| 7     | 748-0234    | 1   | /P    | Shoulder Spacer               |
| 8     | 756-0987    | 1   | S     | Pulley Half                   |
| 9     | 754-0346    | 1   | S     | V-Belt                        |
| 10    | 756-0966    | 1   | S     | Pulley Half                   |
| 11    | 736-0270    | 1   | /P    | Bell Washer                   |
| 12    | 710-0230    | 1   | /P    | Hex Cap Screw 1/4-28 x .50    |
| 13    | 756-0313    | 1   | /P    | Flat Idler                    |
| 14    | 710-1245    | 1   | /P    | Lock Hex Cap Screw 5/16-24    |
| 15    | 712-0181    | 1   | S     | Lock Jam Nut 3/8-16           |
| 16    | 756-0569    | 1   |       | Pulley Half                   |
| 17    | 736-0242    | 1   | /P    | Bell Washer                   |
| 18    | 736-0505    | 1   |       | Flat Washer                   |
| 19    | 754-0430    | 1   | S     | Belt                          |
| 20    | 756-0967    | 1   |       | Auger Pulley                  |
| 21    | 736-0247    | 1   | /P    | Flat Washer 3/8 x 1.25 OD     |
| 22    | 736-0331    | 1   | /P    | Bell Washer                   |
| 23    | 710-0696    | 1   | /P    | Hex Cap Screw 3/8-24          |
| 24    | 748-0360    | 1   | S     | Adapter Pulley                |
| 25    | 710-0654A   | 1   | /P    | Hex Tap Screw, 3/8-16 x 1     |
| 26    | 629-0071    | 1   | S     | Extension Cord                |
| 27    | OEM-390-987 | 1   | S     | Electric Start Kit            |



31AE7E3F190 Snow Boss 950T (1999)  
Frame Assembly

Page 7 of 14

| Ref # | Part Number    | Qty | S/P/F | Description                             |
|-------|----------------|-----|-------|---|
| 1     | 784-5648-0662  | 1   |       | Frame Cover                             |
| 2     | 710-1652       | 1   | /P    | Tap Screw, 1/4-20 x .625                |
| 3     | 748-0190       | 1   | /P    | Spacer, .508 ID x .75 OD x .68          |
| 4     | 732-0264       | 1   | S     | Ext. Spring                             |
|       | 746-0898       | 1   | S     | Drive Cable, 39.88"                     |
| 5     | 712-0711       | 1   | /P    | Jam Nut, 3/8-24                         |
| 6     | 736-0105       | 1   | /P    | Bell Washer, .401 x .87 x .063          |
| 7     | 684-0021       | 1   | S     | Friction Wheel Support Bracket Assembly |
| 9     | 656-0012A      | 1   | S     | Friction Disc                           |
| 10    | 784-5689A-0662 | 1   | S     | Front Support Guide Bracket             |
| 11    | 713-0413       | 1   |       | Ten-Tooth Sprocket                      |
| 12    | 746-0897       | 1   | S     | Auger Cable, 44.75"                     |
| 13    | 750-0997       | 1   | S     | Spacer, .675 ID x 1 OD x .23            |
| 14    | 711-1042       | 1   |       | Hex Track Shaft                         |
| 15    | 684-0042B      | 1   | S     | Friction Wheel Assembly                 |
| 16    | 736-0160       | 1   | S     | Flat Washer, .536 ID x .93 OD x .05     |
| 17    | 714-0474       | 1   | S     | Cotter Pin                              |
| 18    | 741-0563       | 1   | S     | Ball Bearing                            |
| 19    | 736-0242       | 1   | /P    | Bell Washer, .34 ID x .872 OD           |
| 20    | 710-0538       | 1   | /P    | Hex Cap Screw, 5/16-18 x .625           |
| 21    | 710-0857       | 1   | S     | Tap Screw, 1/4-20 x .75                 |
| 22    | 736-0270       | 1   | /P    | Bell Washer, .265 x .75 x .062          |
| 23    | 736-0176       | 1   | S     | Flat Washer, 1/4 ID x .93 OD x .12      |
| 24    | 741-0597       | 1   | S     | Hex Flange Bearing                      |
| 25    | 710-0643       | 1   | /P    | Hex Cap Screw, 5/16-18 x 1              |
| 26    | 748-0234       | 1   | /P    | Shoulder Spacer                         |
| 27    | 710-0604       | 1   | S     | Tap Screw, 5/16-18 x .625               |
| 28    | 684-0031-0662  | 1   | S     | Frame Assembly                          |
| 29    | 738-0924       | 1   | S     | Spacer                                  |
| 30    | 756-0625       | 1   |       | Cable Roller                            |
| 31    | 784-5688-0662  | 1   | S     | Drive Cable Guide Bracket               |
| 32    | 710-0599       | 1   | /P    | Tap Screw, 1/4-20 x .5                  |
| ?33   | 784-5590       | 1   |       | Shift Frame Bracket                     |
| 34    | 684-0014B      | 1   | S     | Shift Rod Assembly                      |
| 35    | 784-5687-0662  | 1   | S     | Auger Cable Guide Bracket               |
| 36    | 710-0788       | 1   | /P    | Tap Screw, 1/4-20 x 1                   |
| 37    | 618-0063       | 1   |       | Friction Wheel Bearing                  |
| 38    | 718-0301A      | 1   | S     | Friction Wheel Hub                      |
| 39    | 735-0243       | 1   | S     | Friction Wheel Rubber                   |
| 40    | 784-5617A      | 1   | S     | Friction Plate                          |

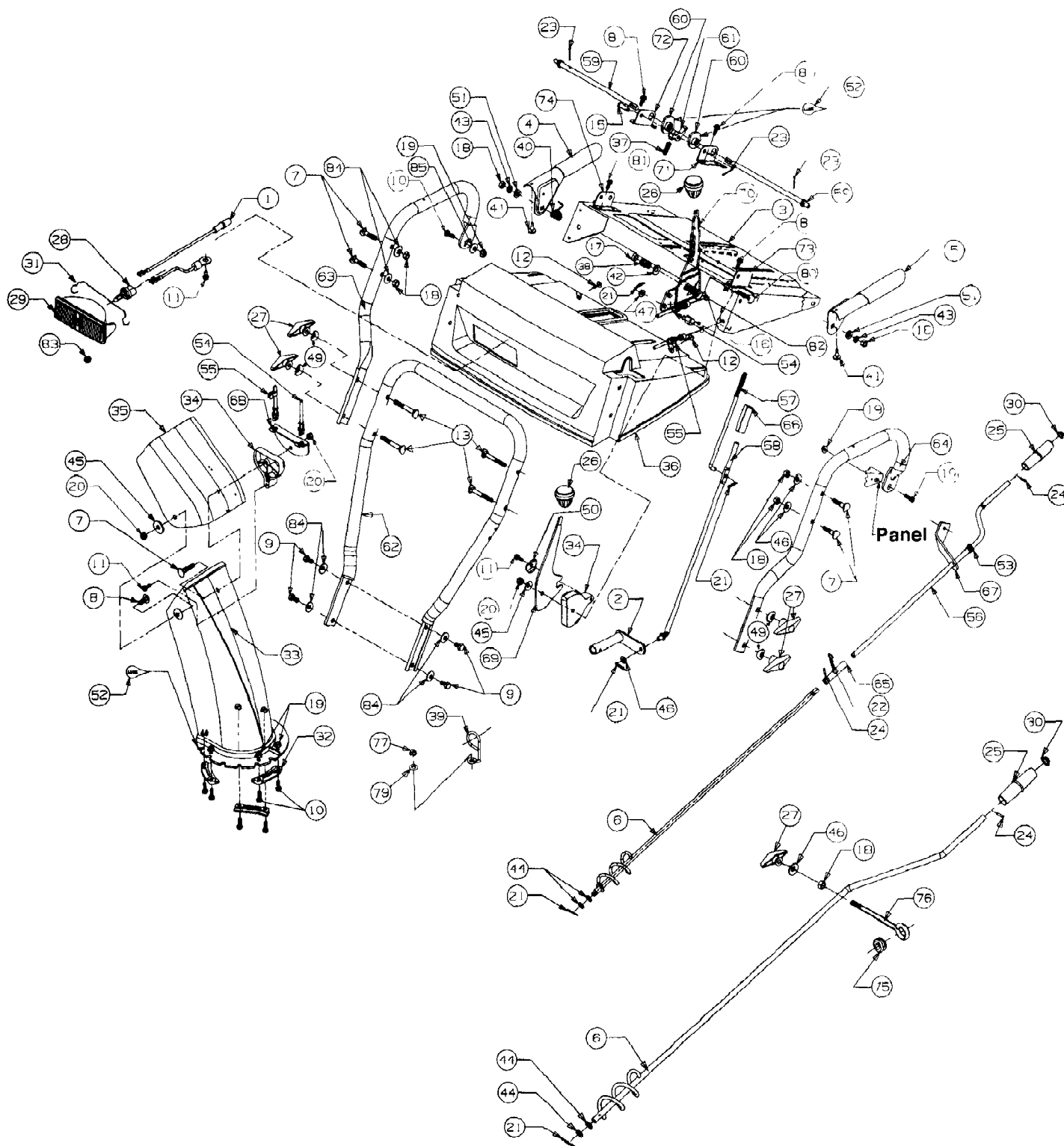




31AE7E3F190 Snow Boss 950T (1999)  
Gear Case Assembly

Page 9 of 14

| Ref # | Part Number | Qty | S/P/F | Description                               |
|-------|-------------|-----|-------|---|
| 1     | 618-0123    | 1   | S     | Housing - L.H.                            |
|       | 618-0124    | 1   | S     | Housing - R.H.                            |
| 2     | 710-0642    | 1   | /P    | Hex Screw 1/4-20 x .75                    |
| 3     | 711-0908    | 1   | S     | Spiral Axle 24" (For model E733E)         |
|       | 711-0909    | 1   | S     | Spiral Axle 26" (For model E7E3F)         |
| 4     | 714-0161    | 1   | S     | Key                                       |
| 5     | 715-0143    | 1   | S     | Pin-Spiral                                |
| 6     | 717-0526    | 1   |       | Shaft-Worm                                |
| 7     | 717-0528    | 1   | S     | Gear-Worm                                 |
| 8     | 718-0186    | 1   |       | Collar-Thrust                             |
| 9     | 721-0325    | 1   |       | Plug                                      |
| 10    | 721-0327    | 1   |       | Seal-Oil                                  |
| 11    | 736-0351    | 1   | S     | Washer-Flat                               |
| 12    | 736-0369    | 1   | S     | Washer-Flat                               |
| 13    | 736-0445    | 1   | S     | Washer-Flat                               |
| 14    | 737-0168    | 1   | S     | Grease, 1.5 oz Alvania EP Lead Free       |
| 15    | 741-0662    | 1   |       | Bearing-Flange                            |
| 16    | 741-0663    | 1   |       | Bearing-Flange                            |
| 17    | 618-0120    | 1   | S     | Gear Case Complete, 24" (For model E733E) |
|       | 618-0121    | 1   | S     | Gear Case Complete, 26" (For model E7E3F) |



31AE7E3F190 Snow Boss 950T (1999)  
Panel & Handle Assembly

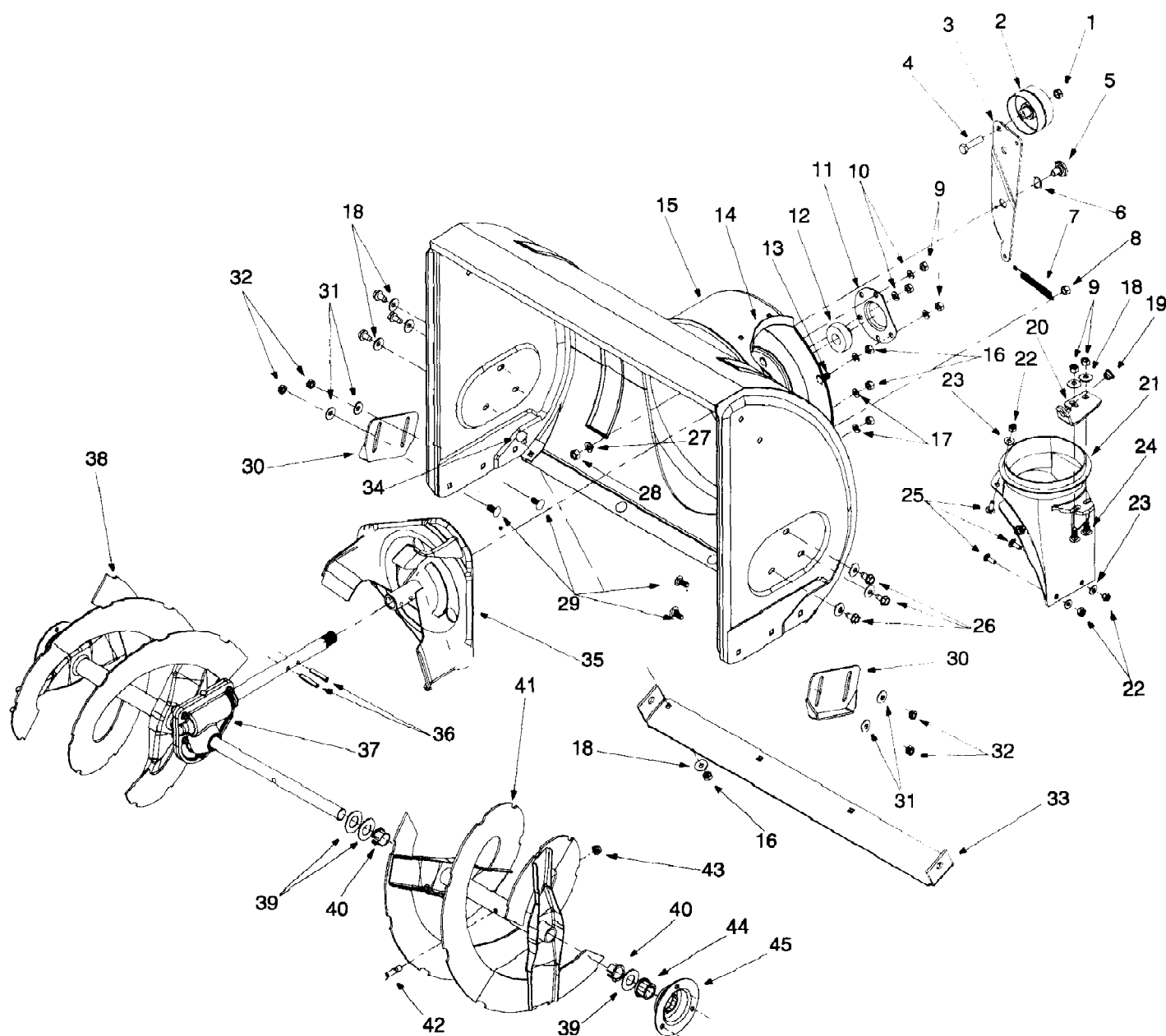
Page 11 of 14

| Ref # | Part Number | Qty | S/P/F | Description                   |
|-------|-------------|-----|-------|-------------------------------|
| 1     | 629-0059    | 1   | S     | Harness-Light                 |
| 2     | 684-0008A   | 1   | S     | Arm-Shift                     |
| 3     | 684-0102    | 1   |       | Panel Ass'y. - Handle w/Tilt  |
| 4     | 684-0036    | 1   | S     | Handle-Engagement - R.H.      |
| 5     | 684-0037    | 1   | S     | Handle-Engagement - L.H.      |
| 6     | 684-0022    | 1   | S     | Crank-Chute (For model E733E) |
|       | 684-0053    | 1   | S     | Crank-Chute (For model E7E3F) |
| 7     | 710-0262    | 1   | /P    | Bolt-Carriage                 |
| 8     | 710-0451    | 1   | /P    | Bolt-Carriage                 |
| 9     | 710-3008    | 1   | /P    | Screw-Hex                     |
| 10    | 710-3015    | 1   | /P    | Screw-Hex                     |
| 11    | 710-0896    | 1   | /P    | Screw-Washer Head-Hex         |
| 12    | 710-1003    | 1   | /P    | Screw-Hex                     |
| 13    | 710-0449    | 1   | S     | Bolt-Carriage                 |
| 15    | 711-0653    | 1   | /P    | Pin-Clevis                    |
| 16    | 711-0677    | 1   | S     | Ferrule                       |
| 17    | 712-0116    | 1   | S     | Nut-Hex Lock                  |
| 18    | 712-3010    | 1   | S     | Nut-Hex                       |
| 19    | 712-3027    | 1   | S     | Nut-Hex Lock                  |
| 20    | 712-0429    | 1   | S     | Nut-Hex Lock                  |
| 21    | 714-0104    | 1   | S     | Pin-Cotter Internal           |
| 22    | 714-0145    | 1   | S     | Pin-Cotter                    |
| 23    | 714-0507    | 1   | S     | Pin-Cotter                    |
| 24    | 715-0138    | 1   | S     | Pin-Roll                      |
| 25    | 720-0201A   | 1   | /P    | Knob-Chute Crank              |
| 26    | 720-0232    | 1   | S     | Knob-Shift                    |
| 27    | 720-0284    | 1   | S     | Knob-Wing Nut                 |
| 28    | 725-1658    | 1   | S     | Lamp                          |
| 29    | 725-1672    | 1   | S     | Housing-Lamp                  |
| 30    | 726-0100    | 1   | S     | Cap-Push                      |
| 31    | 747-1136    | 1   | /P    | Clip-Retaining                |
| 32    | 731-0851A   | 1   | /P    | Keeper-Chute                  |
| 33    | 731-1300A   | 1   | S     | Chute-Lower                   |
| 34    | 731-1313B   | 1   | S     | Guide-Cable                   |
| 35    | 731-1320    | 1   | S     | Chute-Upper                   |
| 36    | 731-1545A   | 1   | S     | Panel-Handle                  |
| 37    | 732-0145    | 1   | /P    | Spring                        |
| 38    | 732-0193    | 1   | /P    | Spring                        |
| 39    | 732-0705    | 1   |       | Wire-Control                  |
| 40    | 732-0746    | 1   |       | Spring                        |
| 41    | 735-0199A   | 1   | S     | Bumper                        |
| 42    | 736-0105    | 1   | /P    | Washer-Bell                   |
| 43    | 736-0119    | 1   | S     | Washer-Lock                   |
| 44    | 736-0185    | 1   | S     | Washer-Flat                   |
| 45    | 736-0159    | 1   | S     | Washer                        |
| 46    | 736-0275    | 1   | S     | Washer-Bell                   |
| 47    | 736-0264    | 1   | S     | Washer-Flat                   |
| 49    | 736-0451    | 1   | S     | Washer-Saddle                 |
| 50    | 736-0506    | 1   | S     | Washer                        |
| 51    | 736-0509    | 1   |       | Washer                        |
| 52    | 737-0133    | 1   | S     | Lubricant                     |
| 53    | 741-0475    | 1   | S     | Bushing-Plastic               |
| 54    | 746-0896    | 1   | S     | Cable-Chute Control           |

31AE7E3F190 Snow Boss 950T (1999)  
Panel & Handle Assembly

Page 12 of 14

| Ref # | Part Number | Qty | S/P/F | Description                      |
|-------|-------------|-----|-------|----------------------------------|
| 55    | 746-0901    | 1   | S     | Cable-Chute Control              |
| 56    | 747-0618    | 1   | S     | Crank-Chute                      |
| 57    | 747-0620A   | 1   | /P    | Rod-Shift Upper                  |
| 58    | 747-0621    | 1   |       | Rod-Shift Lower                  |
| 59    | 747-0877    | 1   |       | Rod-Cam                          |
| 60    | 748-0362    | 1   |       | Cam-Handle Lock                  |
| 61    | 748-0363    | 1   | S     | Pawl-Handle Lock                 |
| 62    | 749-0951    | 1   |       | Handle-Lower                     |
| 63    | 749-0954    | 1   | S     | Handle - R.H.                    |
| 64    | 749-0955    | 1   | S     | Handle - L.H.                    |
| 65    | 750-0785    | 1   | S     | Spacer                           |
| 66    | 750-0963    | 1   | S     | Connector                        |
| 67    | 705-5266    | 1   | S     | Bracket                          |
| 68    | 784-5594    | 1   |       | Bracket-Cable                    |
| 69    | 784-5604    | 1   | S     | Handle-Chute Tilt                |
| 70    | 784-5619A   | 1   | S     | Handle-Shift                     |
| 71    | 784-5679    | 1   | S     | Bracket-Handle Support - L.H.    |
| 72    | 784-5680    | 1   | S     | Bracket-Handle Support - R.H.    |
| 73    | 784-5681    | 1   | /P    | Bracket-Handle Support - L.H.    |
| 74    | 784-5682    | 1   | S     | Bracket-Handle Support - R.H.    |
| 75    | 735-0234    | 1   |       | Grommet Rubber (For model E733E) |
| 76    | 747-0697    | 1   | /P    | Eyebolt-Chute (For model E733E)  |
| 77    | 712-0324    | 1   | /P    | Nut-Hex Lock                     |
| ?78   | 736-0329    | 1   | S     | Washer-Lock (For model E733E)    |
| 79    | 736-0463    | 1   | S     | Washer-Flat (For model E733E)    |
| 80    | 710-0805    | 1   | /P    | Hex Screw                        |
| 81    | 710-0599    | 1   | /P    | Hex Tap Screw                    |
| 82    | 710-0459A   | 1   | /P    | Hex Screw                        |
| 83    | 712-0271    | 1   | /P    | Sems-Hex                         |
| 84    | 736-0242    | 1   | /P    | Washer-Bell                      |
| 85    | 736-0270    | 1   | /P    | Washer-Bell                      |



31AE7E3F190 Snow Boss 950T (1999)  
Spiral & Impeller Assembly

Page 14 of 14

| Ref # | Part Number    | Qty | S/P/F | Description                            |
|-------|----------------|-----|-------|--|
| 1     | 712-0116       | 1   | S     | Lock Jam Nut 3/8-24                    |
| 2     | 756-0178       | 1   |       | Flat Idler                             |
| 3     | 784-5632       | 1   | S     | Auger Idler Arm                        |
| 4     | 710-0459A      | 1   | /P    | Hex Cap Screw 3/8-24 x 1.50            |
| 5     | 738-0281       | 1   | S     | Shoulder Screw                         |
| 6     | 736-0174       | 1   | /P    | Wave Washer                            |
| 7     | 732-0611       | 1   | S     | Extension Spring                       |
| 8     | 712-3068       | 1   | S     | Hex Nut 5/16-18                        |
| 9     | 712-3010       | 1   | S     | Hex Nut 5/16-18                        |
| 10    | 736-0119       | 1   | S     | Lock Washer 5/16                       |
| 11    | 05931          | 1   | S     | Bearing Housing                        |
| 12    | 741-0309       | 1   | S     | Ball Bearing                           |
| 13    | 710-0451       | 1   | /P    | Carriage Bolt 5/16-18                  |
| 14    | 705-5226       | 1   |       | Reinforcement Chute                    |
| 15    | 684-0039B-0662 | 1   | S     | 24" Housing Assembly (For model E733E) |
|       | 684-0040B-0662 | 1   | S     | 26" Housing Assembly (For model E7E3F) |
| 16    | 712-3010       | 1   | S     | Hex Nut 5/16-18                        |
| 17    | 736-0119       | 1   | S     | Lock Washer 5/16                       |
| 18    | 736-0242       | 1   | /P    | Bell Washer                            |
| 19    | 741-0475       | 1   | S     | Bushing                                |
| 20    | 784-5647       | 1   | S     | Chute Crank Bracket                    |
| 21    | 731-1379       | 1   | S     | Chute Adapter                          |
| 22    | 712-0324       | 1   | /P    | Hex Lock Nut 1/4-20                    |
| 23    | 736-0463       | 1   | S     | Flat Washer                            |
| 24    | 710-0451       | 1   | /P    | Carriage Bolt                          |
| 25    | 710-0703       | 1   | /P    | Carriage Screw 1/4-20 x .75            |
| 26    | 710-0604       | 1   | S     | Hex Washer Screw 5/16-18               |
| 27    | 736-0169       | 1   | S     | Lock Washer 3/8                        |
| 28    | 712-0798       | 1   | /P    | Hex Nut 3/8-16                         |
| 29    | 710-0451       | 1   | /P    | Carriage Bolt 5/16-18 x .75            |
| 30    | 784-5580-0662  | 1   | S     | Slide Shoe                             |
| 31    | 736-0242       | 1   | /P    | Bell Washer                            |
| 32    | 712-3010       | 1   | S     | Hex Nut 5/16-18                        |
| 33    | 784-5581A-0637 | 1   | S     | Shave Plate 24" (For model E733E)      |
|       | 784-5579A-0637 | 1   | S     | Shave Plate 26" (For model E7E3F)      |
| 34    | 710-0260       | 1   | S     | Carriage Bolt 5/16-18 x .62            |
| 35    | 684-0065       | 1   | S     | Impeller Assembly                      |
| 36    | 715-0114       | 1   | S     | Pin                                    |
| 37    | 618-0120       | 1   | S     | 24" Gear Assembly (For model E733E)    |
|       | 618-0121       | 1   | S     | 26" Gear Assembly (For model E7E3F)    |
| 38    | 605-5188A      | 1   | S     | Spiral 24" RH (For model E733E)        |
|       | 605-5192A      | 1   | S     | Spiral 26" RH (For model E7E3F)        |
| 39    | 736-0188       | 1   | /P    | Flat Washer                            |
| 40    | 741-0493A      | 1   | /P    | Flange Bushing                         |
| 41    | 605-5189A      | 1   | S     | Spiral 24" LH (For model E733E)        |
|       | 605-5193A      | 1   | S     | Spiral 26" LH (For model E7E3F)        |
| 42    | 710-0890A      | 1   | /P    | Shear Bolt 5/16-18 x 1.5               |
| 43    | 712-0429       | 1   | S     | Lock Nut 5/16-18                       |
| 44    | 741-0245       | 1   | S     | Hex Flange Bearing                     |
| 45    | 784-5618       | 1   | S     | Bearing Housing                        |